



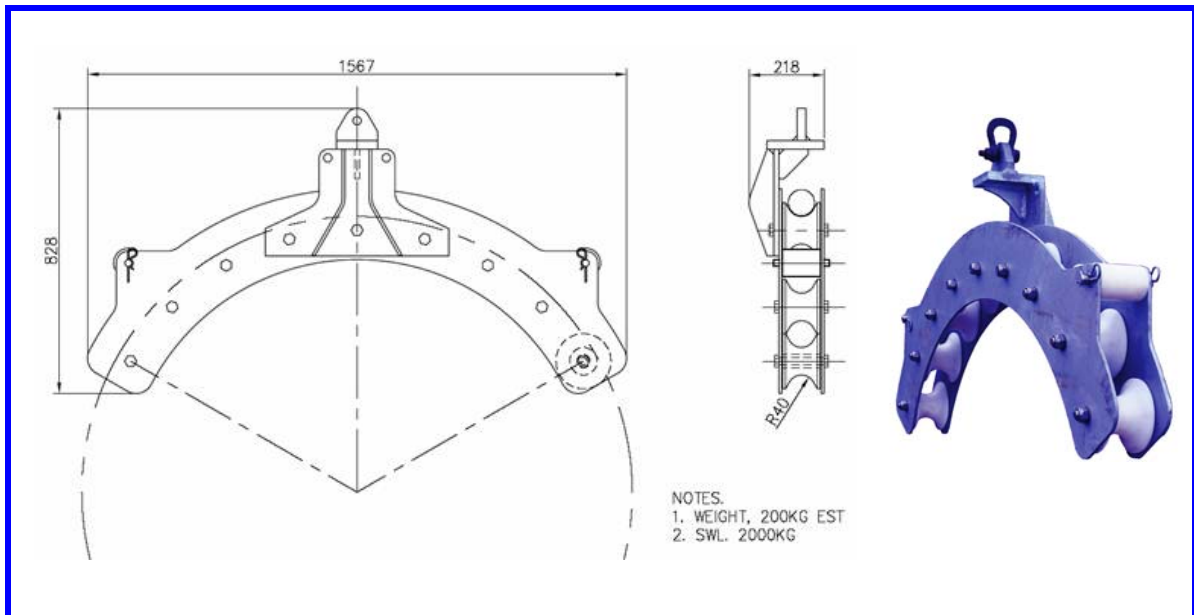
Underwater Engineering Services

ROLLER DEPLOYMENT SHEAVE

MODEL: RDS 808-2

General Description

The Roller Deployment Sheave has been designed for the safe overboarding of cables, hoses and umbilicals. It combines a 2000kg line pull with a large 800mm bend radius and a minimal space requirement. Products of up to 80mm diameter may be used on this sheave. The standard design incorporates top rollers to ensure that the product is securely captured within the sheave and two off additional lifting points to aid with installation.



Underwater Engineering Services
West Pitmillan
Foveran
Ellon
Aberdeenshire AB41 6AL

Tel: +44 (0) 1358 789 808
Fax: +44 (0) 1358 789 575
Email: info@uesltd.net
Web: www.uesltd.net